

TAKSTAR® 得勝

TAKSTAR®

广东得胜电子有限公司

生产基地：广东省惠州市博罗县龙溪镇富康一路2号

服务热线：400 6828 333 传真：0752-6383950

邮箱：xs@takstar.com

邮编：516121

网址：www.takstar.com

Guangdong Takstar Electronic Co.,Ltd.

Address: No. 2 Fu Kang Yi Rd., Longxi Boluo Huizhou Guangdong, 516121 China

International Sales:

Tel: +86 752 6383644

Email: sales@takstar.com

Website: www.takstar.com



DA-239

窗口对讲机

Talk-back System

※ Troubleshooting

No Sound

- The power cable is not connected well, plug the DC 12V/1A power adapter into the power socket.
- The volume knob is set to minimum position, adjust the volume knob clockwise gradually to increase the volume.
- Check if the speaker switch is turned off.

Feedback

- Poor environment sound insulation or too loud ambient noise, keep the host unit and the extension unit farther or decrease the volume.

Uncontinuous Sound

- The person speaks too far away from the microphone, he should keep closer (ideal distance 20cm).
- When one person speaks, the one on the other end can not speak, he can only speak when the first person stops speaking.
- When the ambient noise is too loud, decrease the speaker volume or keep closer to the microphone to speak, the host unit can turn off the speaker switch of the extension unit to solve the uncontinuous sound problem.



Note: this product is suitable for non-tropical climate application.

※ Specification

Operating Voltage: DC 12V / 1A

Peak Output Power: 2 X 5W

Frequency Response: 100Hz-12KHz

Speaker Impedance: 4 Ω

Host Unit Weight: 580g

Extension Unit Weight: 220g

Host Unit Dimension: 179.7×129.8×56.5mm

Extension Unit Dimension: 117.8×83.7×38.9mm

※ Product Content

Host unit	1 pc
Extension unit	1 pc
Power adapter	1 pc
User manual	1 pc
Adhesive EVA foam	2 pcs
Adhesive rubber strip	2 pcs

特别声明

TAKSTAR 得胜 商标, 均已

注册登记, 未经广东得胜电子有限公司正式授权许可, 他人 (及单位) 均不得私自使用。

※ 本说明书内容未经广东得胜电子有限公司授权, 禁止复制、传播、发行、转载。

※ 得胜公司保留对本说明书中描述的产品及说明书内容更新和改进的权利, 如有更改, 恕不另行通知。

※ 如有功能上的问题, 请留意本公司的文宣咨询或网上查询 www.takstar.com

※ 对其中涉及的描述和图像, 以包装箱内内容和实物为准。

■ 为了确保您更好地使用本产品, 请在使用前, 详阅本说明书, 了解正确操作方法, 以获得理想的使用效果; 并请妥善保存好本说明书, 以备将来需要。

※ 产品介绍

尊敬的顾客:

您好!

感谢您购买TAKSTAR DA-239窗口对讲机, 为了让您更好的使用TAKSTAR DA-239窗口对讲机, 请您先认真阅读此说明书。

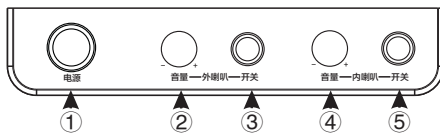
TAKSTAR DA-239窗口对讲机适用于任何需要防盗、防破坏, 交谈困难的窗口, 如银行、证券、邮局、火车站、交款台、售票处、医院等场所。该系统声音清晰洪亮, 语音分辨度高, 内外扩音音量均可调节, 并设有抗干扰以及去除回音、啸叫的电路, 确保真实还原声音。

※ 产品特点

- 应用全自动通话控制, 采用双工语音对讲通信技术, 自动识别处理语音信号, 通话过程不需任何操作。
- 专用消侧音处理芯片, 具有自动静噪功能, 并能有效改善啸叫。
- 综合应用电声技术经验、选用性能优异的电声器件设计, 输出功率可达5W, 声音清晰洪亮, 语音分辨度高。
- 双鹅颈设计, 可自由调整拾音角度。

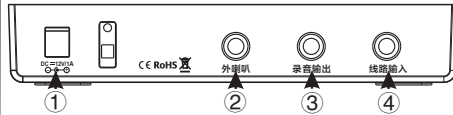
- 主机设计了独立的内、外静音开关，可根据需要进行静音控制。
- 具有音频信号输入功能，如语音提示等，可对外播音，以供顾客收听。
- 设有立体声录音输出插座，可输出内外双路声音信号，（配合银行柜员录音），并且录音功能不受电源开关和各功能按钮的控制。
- 分机可以挂在墙壁上或通过强力胶带粘贴在玻璃上。
- 整机造型美观，线条流畅，按钮内部带LED指示灯，使用简单明了，产品设计充分考虑使用环境因素，致力于提高用户的工作效率。

※ 控制面板示意图



- ① 电源开关按钮
- ② 副机（外）喇叭音量调节旋钮
- ③ 副机（外）喇叭控制开关
- ④ 主机（内）喇叭音量调节旋钮
- ⑤ 主机（内）喇叭控制开关

※ 尾部插槽功能示意图



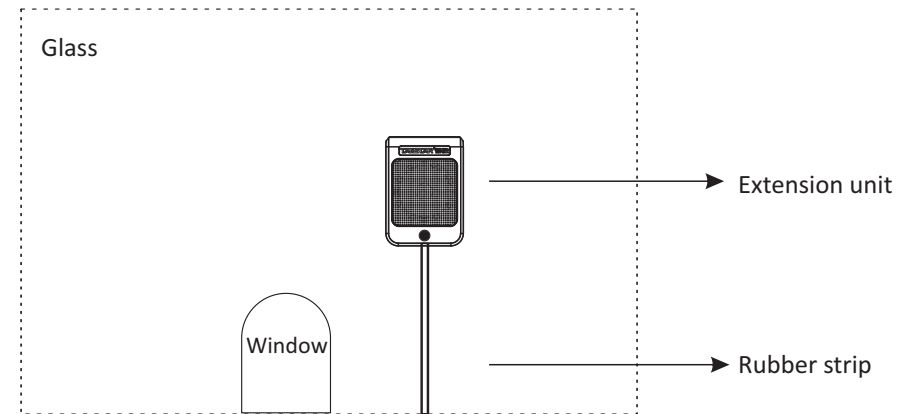
- ① 电源输入（DC 12V / 1A）
- ② 外喇叭：副机连接端口
- ③ 录音输出：内外双路声音信号输出（可供柜员录音）
- ④ 线路输入：外部线路音源输入

※ 安装使用说明

- 主机放置在工作台上，由工作人员使用。将副机贴在工作台玻璃的外侧，由客户使用，副机插头插入主机的外喇叭孔。（安装示图二中①处）
- 将变压器插在220V电源插座中，DC 12V/1A插头插入主机DC孔内。
- 检查插头全部接插无误后，打开主机上电源开关，电源指示灯亮。接着分别打开内、外喇叭开关，开关内的指示灯亮。
- 由低到高分别逐步调节主机上音量调节按钮，使内、外音量大小适宜。
- 对着工作台上的麦克风讲话，声音由外面的副机扩出；对着副机讲话，声音由工作台内的主机扩出，表示工作正常。

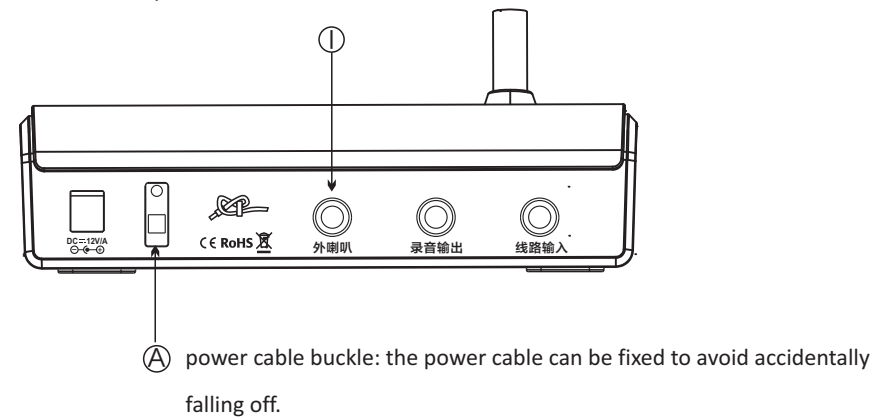
※ Installation Diagram

- Installation picture 1



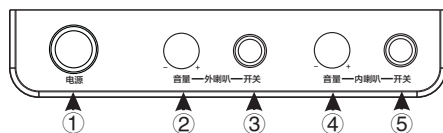
Keep the wall and glass clean to prevent the rubber strip from falling off due to the dust on the wall or the glass, keep the connecting cable connector of the extension unit downward and put the cable into the slot of the rubber strip, paste the rubber strip on a proper position outside the window, drill a screw hole on the wall and fix the extension unit via screw, or fix the extension unit on the glass via the supplied adhesive EVA foam.

- Installation picture 2



- Dual gooseneck design for flexible pick up angle
- Independent mute control button on host unit for both external and internal units, which can be controlled according to the application
- Audio signal input function like voice prompt for external broadcasting
- Stereo recording output port for both internal and external voice signal output (for bank clerk recording), recording function is not controlled by the power button and function buttons
- Extension unit can be hung on the wall or pasted on the glass by strong adhesive tape
- Elegant appearance design, built-in LED indicator on the buttons for simple use

※ Control Panel



- ① Power switch
- ② Extension unit speaker volume knob
- ③ Extension unit speaker switch
- ④ Host unit speaker volume knob
- ⑤ Host unit speaker switch

※ Rear Panel



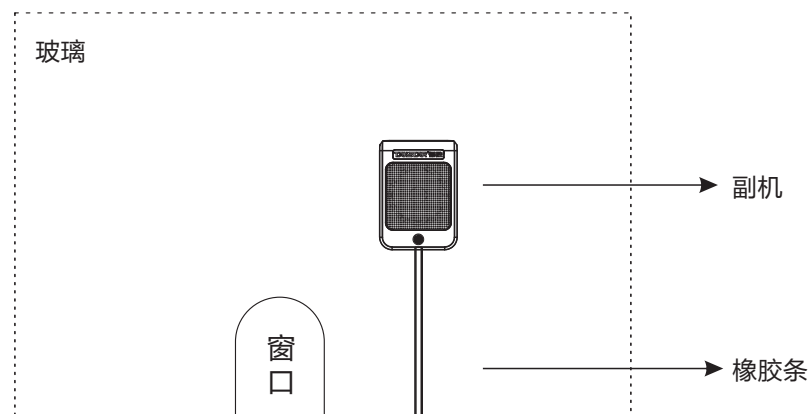
- ① Power supply input (DC 12V/1A)
- ② External speaker connector
- ③ Recording output: internal and external dual channel sound signal output (for clerk recording)
- ④ Line input: external line audio source input

※ Installation Instruction

- Put the host unit on the table for the clerk to use, and paste the extension unit outside the glass window for the customer to use. Insert the plug of the extension unit into the external speaker connector of the host unit (① position in installation picture 2).
- Insert the power adapter into 220V power socket, plug the DC 12V plug into the DC connector of the host unit.
- Make sure all the connectors are connected well, turn on the power switch of the host unit, the power LED lights up, then turn on the internal and external speaker switches, the switch indicators light up.
- Adjust the volume knob from low to high gradually to proper volume.
- Speak to the host unit microphone, the sound outputs from the extension unit, and speak to the extension unit, the sound outputs from the host unit, this means the system works normally.

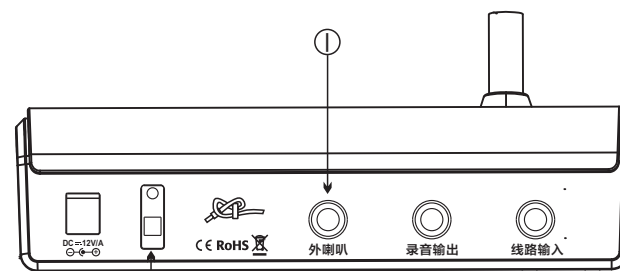
※ 安装示意图

● 安装示意图一



首先保持平面（墙壁、玻璃）的清洁，防止有灰尘，导致背胶贴的脱落。把副机的连接线插头朝下，卡入橡胶条内，在窗口外，选择自己认为合适的位置粘上，副机可选择螺丝钻孔固定在墙上，直接挂上；也可以用配送的背胶贴，贴在玻璃上。

● 安装示意图二



A 电源线扣：可固定电源线，防止电源线意外松脱。

※ 简易故障排除

无声

- 电源未插好或松脱，应将DC=12V/1A适配器插入电源插座。
- 音量旋钮未调大时，可顺时针调节音量旋钮，将声音调大。
- 检查喇叭开关是否处于关闭状态。

啸叫

- 安装环境隔音性能太差或环境噪音太大，应拉开主机与副机的距离或将音量调小。

断音

- 说话者距离麦克风太远，应再靠近一些（小于20cm较理想）。
- 当一方正在说话时，另一方不能插话，需要等对方说话结束后才能正常说话。
- 环境噪声太强，可将对应喇叭的音量旋钮调小或要求说话者再靠近麦克风一些。主机可通过关闭副机的喇叭开关，解决断音问题。

注：产品铭牌位于产品底部



仅适用于非热带气候条件下安全使用

※ 技术参数

工作电压：DC=12V / 1A
峰值输出功率：2 X 5W
频率响应：100Hz-12KHz
扬声器阻抗：4Ω
主机重量：580g
副机重量：220g
主机外形尺寸：179.7×129.8×56.5mm
副机外形尺寸：117.8×83.7×38.9mm

※ 基本配置

主机	一台
副机	一台
电源适配器	一只
说明书	一份
背胶贴纸	两片
橡胶条	两条

Declaration

- ※ TAKSTAR is the trademark of TAKSTAR. No one can use it without prior authorization.
- ※ Without TAKSTAR authorization, any copy/spread/publish of the user manual content is forbidden.
- ※ TAKSTAR reserves the right to change the product or user manual without prior notice.
- ※ The description and pictures may be changed, and subject to the actual products.

■ Please read the user manual carefully before operation and keep it for reference in future.

※ Introduction

Dear Customer,
Thank you for purchasing TAKSTAR DA-239 talk-back system. Please read the user manual carefully before operation.
TAKSTAR DA-239 talk-back system is suitable for any anti-theft, vandal resistant and difficult talking window such as bank, securities company, post office, railway station, cashier desk, ticket office, hospital etc. This system features clear/loud vocal and high voice resolution, adjustable volume of host unit and extension unit, anti-interference, anti-echo and anti-howling circuit is designed to reproduce the original sound.

※ Features

- Full automatic communication control, duplex voice intercom communication technology automatically recognizes and processes the voice signal without any operation during communication.
- Customized anti-side tone processing chip features automatic squelch control and effectively minimizes the howling
- Use high performance components, high output power up to 5W, clear and loud sound quality, high voice resolution